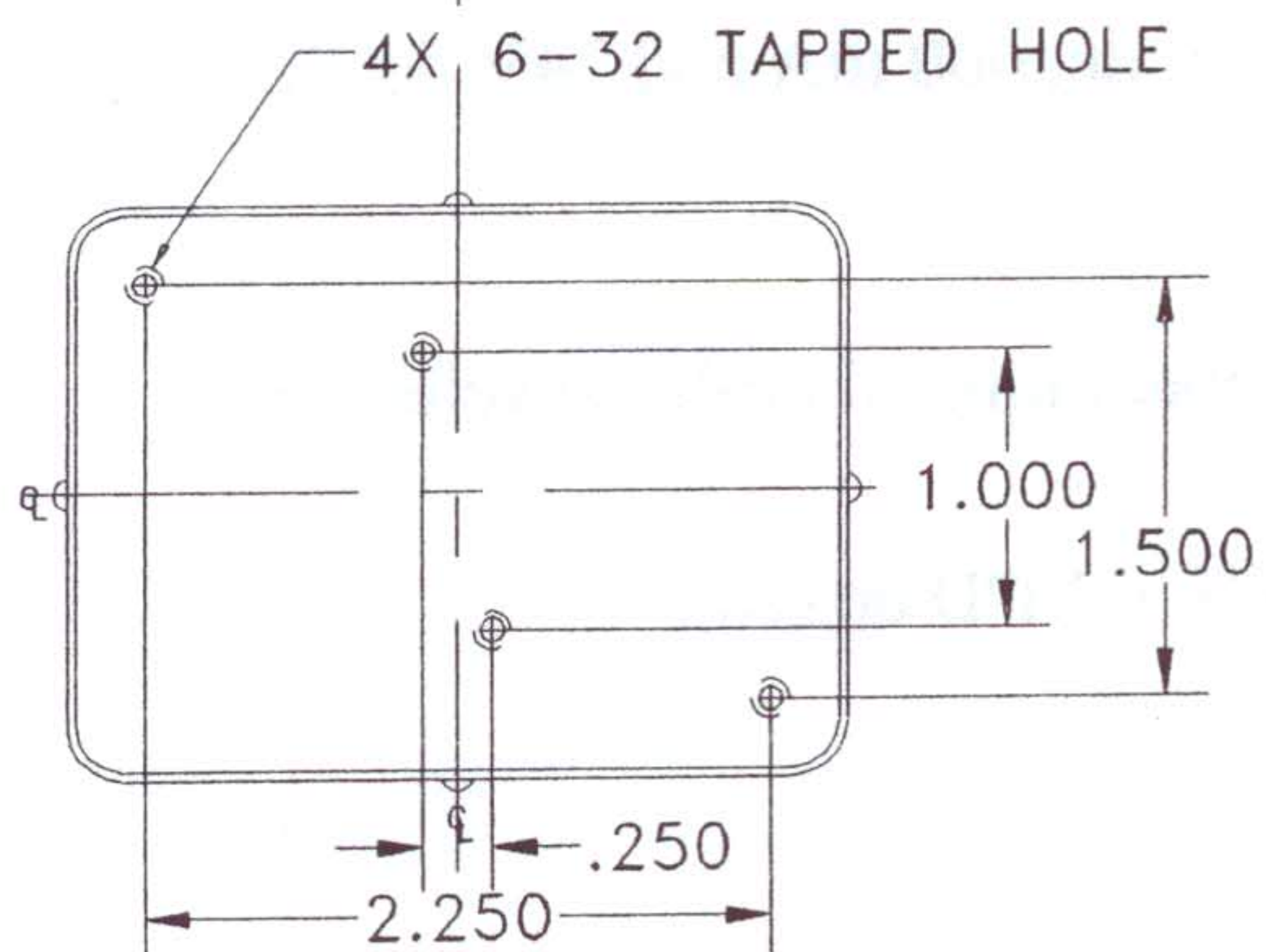
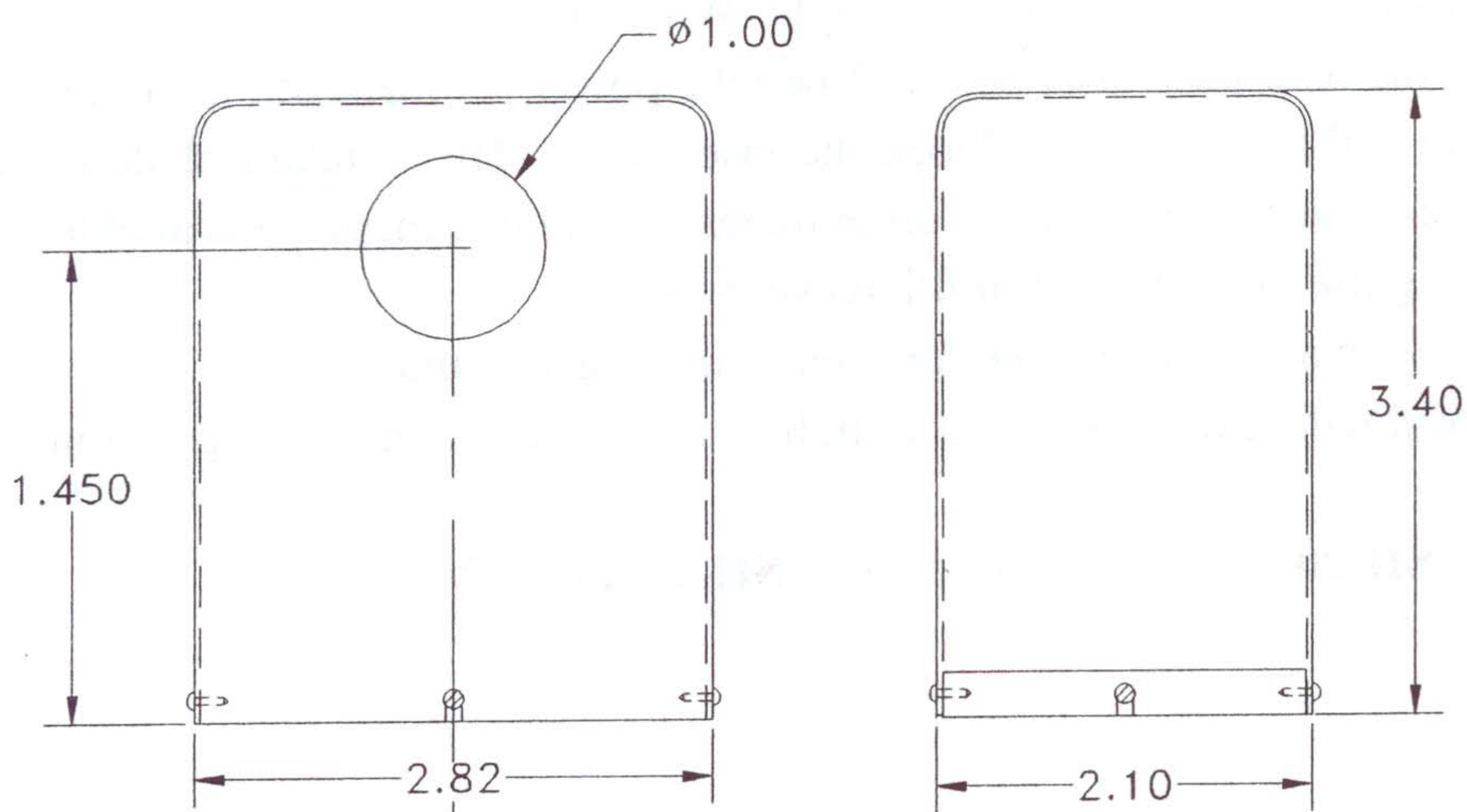


SH-20: OUTLINE DRAWING



METRIC MOUNTING OPTIONAL

SH-20-B: OUTLINE DRAWING