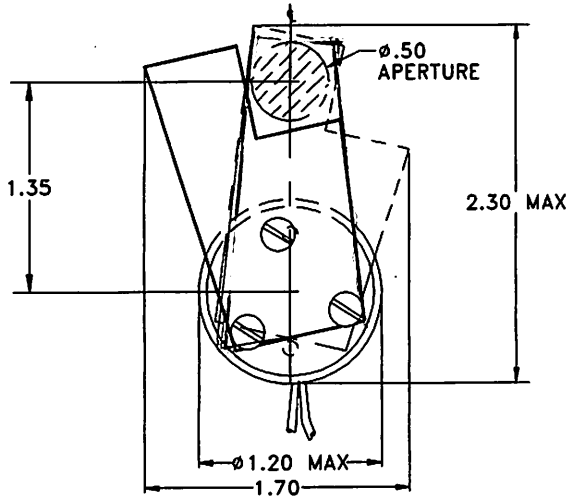


ELECTRO-OPTICAL PRODUCTS PROPRIETARY

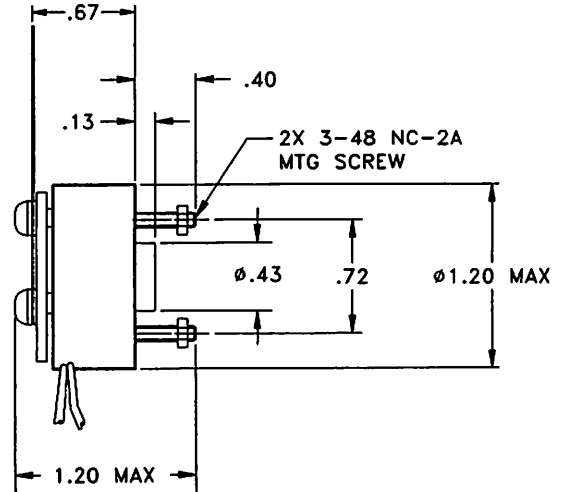
THIS DOCUMENT CONTAINS PROPRIETARY INFORMATION AND EXCEPT WITH WRITTEN PERMISSION OF ELECTRO-OPTICAL PRODUCTS CORPORATION SUCH INFORMATION SHALL NOT BE PUBLISHED, OR DISCLOSED TO OTHERS, OR USED FOR ANY PURPOSE, AND THE DOCUMENT SHALL NOT BE DUPLICATED IN WHOLE OR IN PART.

REVISIONS

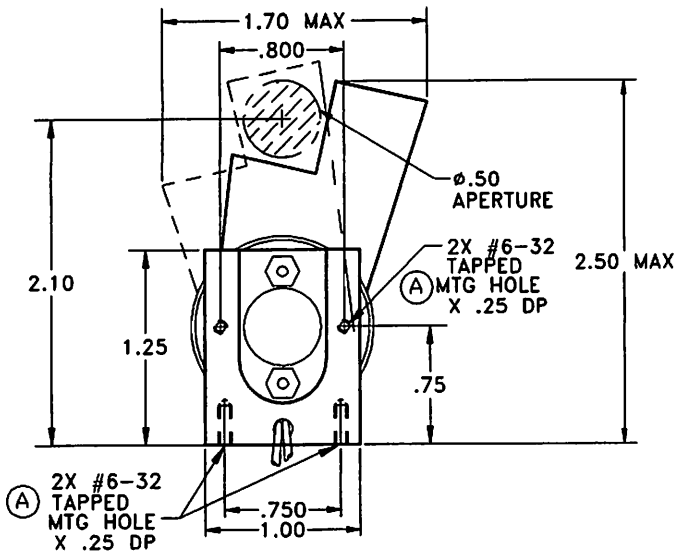
REV	DESCRIPTION	DATE	APP'VD
A	#6-32 TAPPED MTG HOLE (4 PLCS) WAS #4-40 TAPPED MTG HOLE	10-29 98	ZT



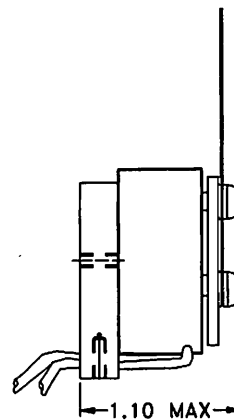
"ON" POSITION



SH-10: OUTLINE DRAWING



"ON" POSITION



SH-10-M: OUTLINE DRAWING

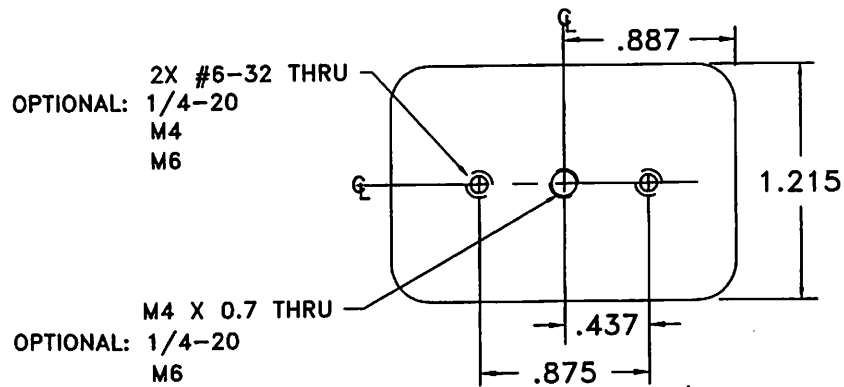
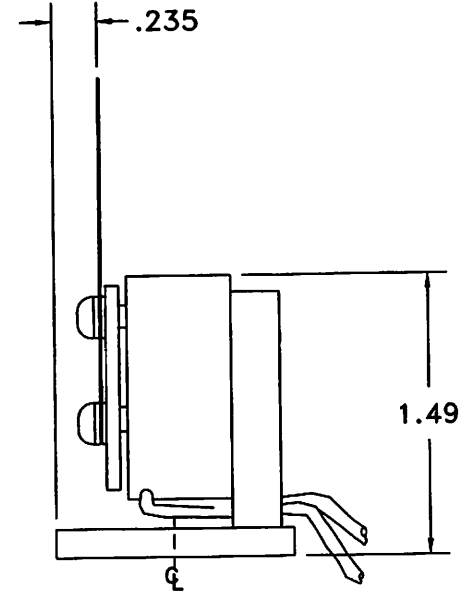
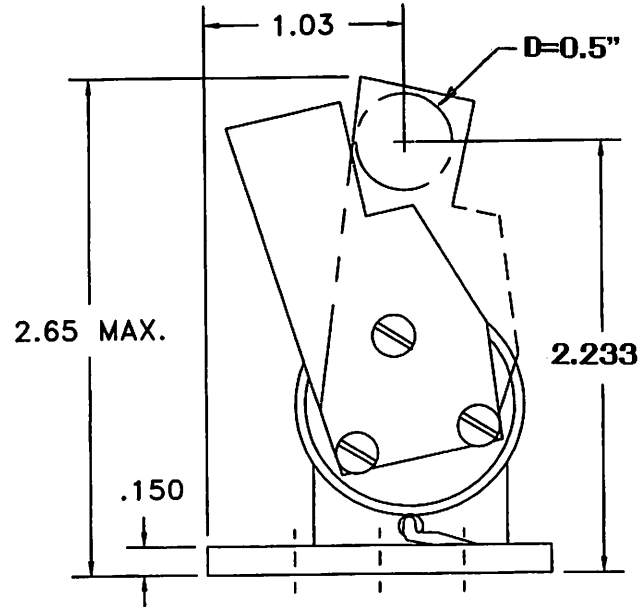
UNLESS OTHERWISE SPECIFIED DIMENSIONS ARE IN INCHES & PER ANSI Y14.5M-1982 FRACTIONS ± ANGLES ±1/2° 3 PLACE DECIMALS ±.005 2 PLACE DECIMALS ±.01 HOLES ±	ELECTRO-OPTICAL PRODUCTS CORP. FRESH MEADOWS, NEW YORK		
	TITLE OUTLINE DRAWING SH-10		
PREPARED 10/9/98	SIZE A	DWG NO. 98-100449	REV. A
APPROVED	SCALE NTS		SHEET 1 OF 1

ELECTRO-OPTICAL PRODUCTS PROPRIETARY

THIS DOCUMENT CONTAINS PROPRIETARY INFORMATION AND EXCEPT WITH WRITTEN PERMISSION OF ELECTRO-OPTICAL PRODUCTS CORPORATION SUCH INFORMATION SHALL NOT BE PUBLISHED, OR DISCLOSED TO OTHERS, OR USED FOR ANY PURPOSE, AND THE DOCUMENT SHALL NOT BE DUPLICATED IN WHOLE OR IN PART.

REVISIONS

REV	DESCRIPTION	DATE	APPROVED



UNLESS OTHERWISE SPECIFIED
DIMENSIONS ARE IN INCHES
& PER ANSI Y14.5M-1982

FRACTIONS ±
ANGLES ±1/2°
3 PLACE DECIMALS ±.005
2 PLACE DECIMALS ±.01
HOLES ±

ELECTRO-OPTICAL PRODUCTS CORP.
FRESH MEADOWS, NEW YORK

TITLE
OUTLINE DRAWING
SH-10-MP SHUTTER

PREPARED 12/21/2012

SIZE DWG NO. **12-100970** REV.

APPROVED

SCALE FULL

SHEET 1 OF 1

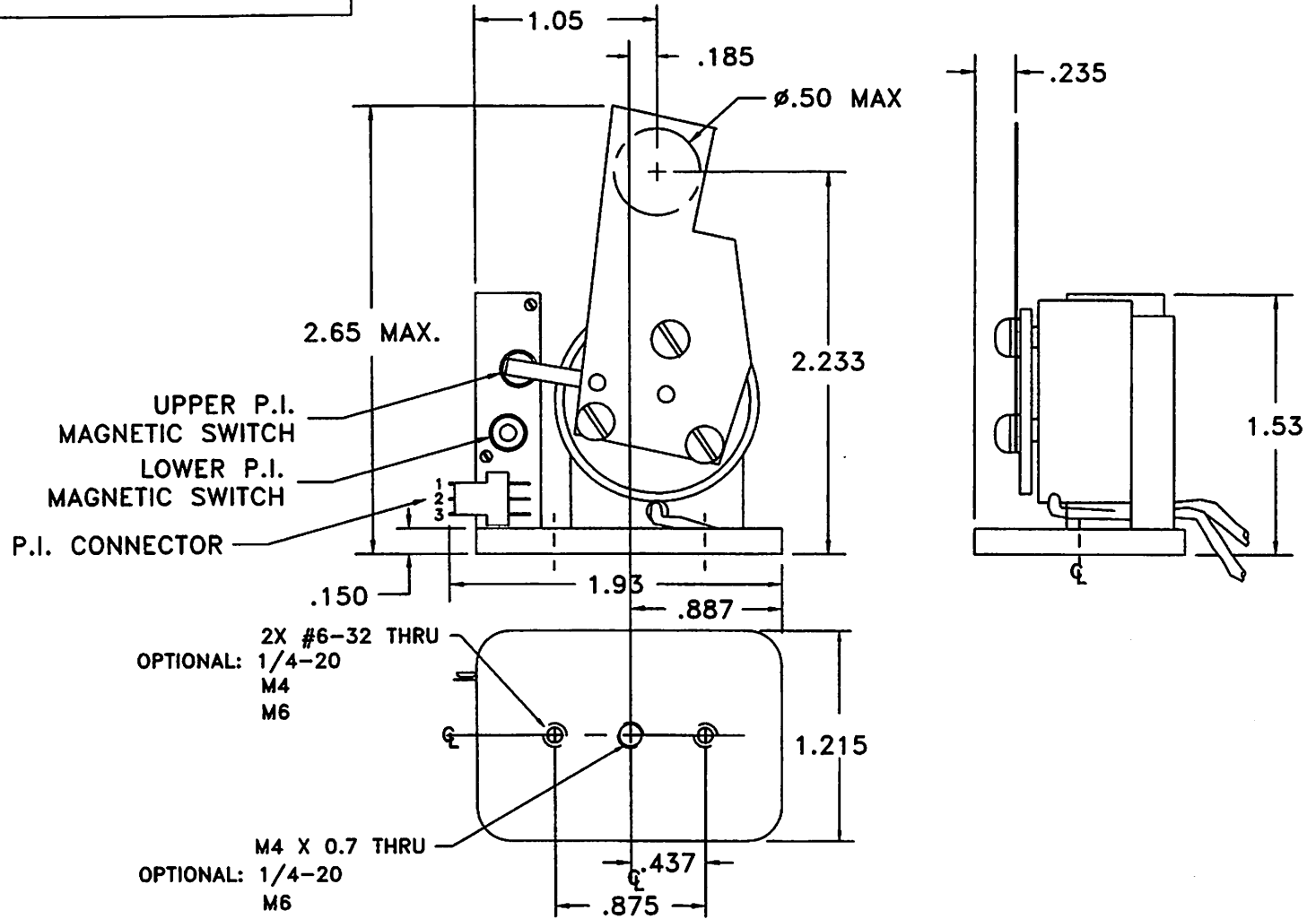
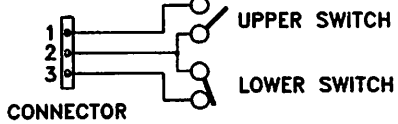
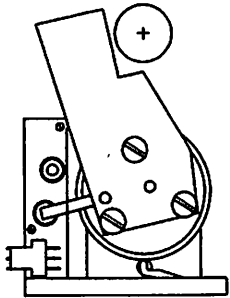
ELECTRO-OPTICAL PRODUCTS PROPRIETARY

THIS DOCUMENT CONTAINS PROPRIETARY INFORMATION AND EXCEPT WITH WRITTEN PERMISSION OF ELECTRO-OPTICAL PRODUCTS CORPORATION SUCH INFORMATION SHALL NOT BE PUBLISHED, OR DISCLOSED TO OTHERS, OR USED FOR ANY PURPOSE, AND THE DOCUMENT SHALL NOT BE DUPLICATED IN WHOLE OR IN PART.

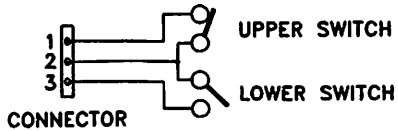
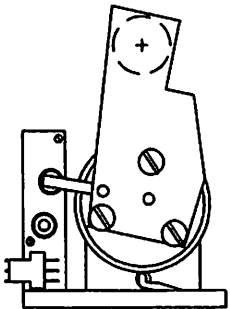
REVISIONS

REV	DESCRIPTION	DATE	APPROVED

OPEN POSITION:



CLOSE POSITION:



<small>UNLESS OTHERWISE SPECIFIED DIMENSIONS ARE IN INCHES & PER ANSI Y14.5M-1982</small> <small>FRACTIONS ± ANGLES ±1/2° 3 PLACE DECIMALS ±.005 2 PLACE DECIMALS ±.01 HOLES ±</small>		ELECTRO-OPTICAL PRODUCTS CORP. FRESH MEADOWS, NEW YORK	
		TITLE SH-10-PI LASER SAFETY SHUTTER	
PREPARED 12/21/2012	SIZE A	DWG. NO. 12-100972	REV. 1
APPROVED	SCALE FULL	SHEET 1 OF 1	

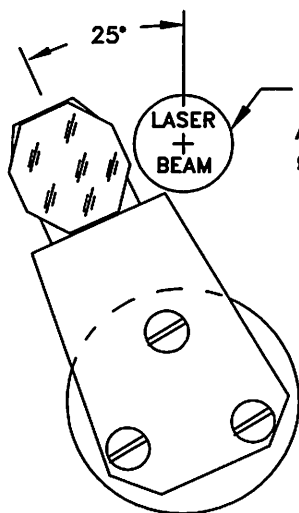
ELECTRO-OPTICAL PRODUCTS PROPRIETARY

THIS DOCUMENT CONTAINS PROPRIETARY INFORMATION AND EXCEPT WITH WRITTEN PERMISSION OF ELECTRO-OPTICAL PRODUCTS CORPORATION SUCH INFORMATION SHALL NOT BE PUBLISHED, OR DISCLOSED TO OTHERS, OR USED FOR ANY PURPOSE, AND THE DOCUMENT SHALL NOT BE DUPLICATED IN WHOLE OR IN PART.

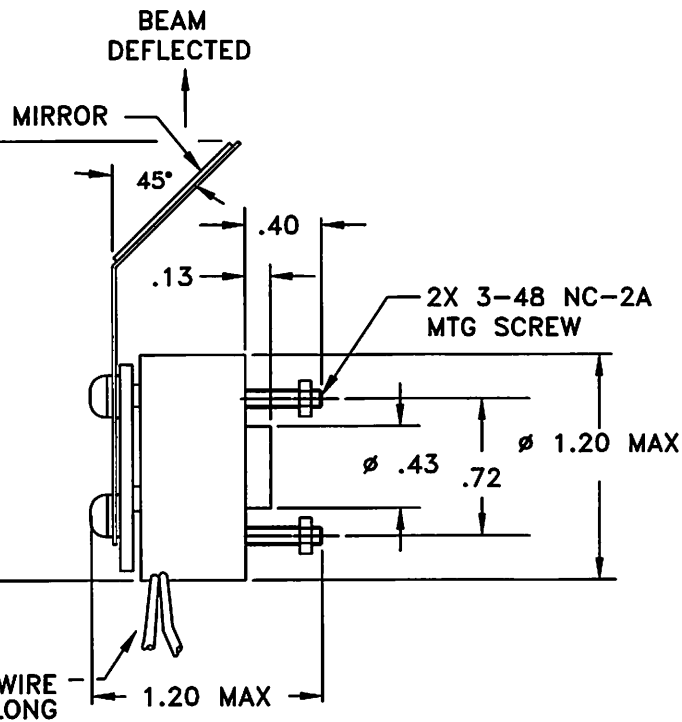
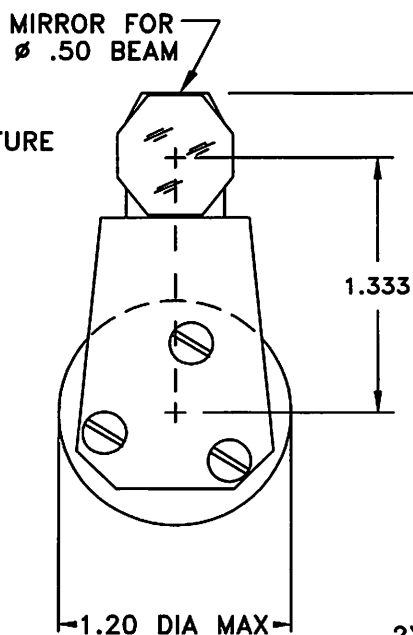
REVISIONS

REV	DESCRIPTION	DATE	APPROVED

**OPEN POSITION
(BEAM PASSES THROUGH)**



**CLOSED POSITION
(BEAM DEFLECTED)**



UNLESS OTHERWISE SPECIFIED DIMENSIONS ARE IN INCHES & PER ANSI Y14.5M-1992 FRACTIONS ± ANGLES ±1/2° 3 PLACE DECIMALS ±.005 2 PLACE DECIMALS ±.01 HOLES ±	ELECTRO-OPTICAL PRODUCTS CORP. FRESH MEADOWS, NEW YORK		
	TITLE OUTLINE DRAWING SH-10-DM		
PREPARED 6/20/2018	SIZE A	DWG NO. 18-101217	REV. 1
APPROVED	SCALE FULL	SHEET 1 OF 1	

ELECTRO-OPTICAL PRODUCTS PROPRIETARY

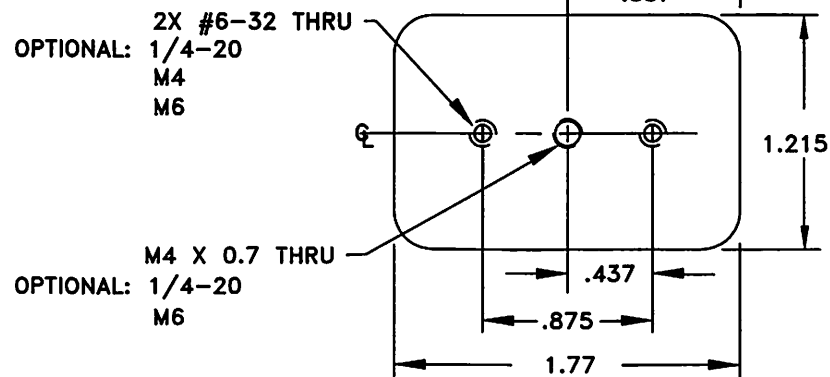
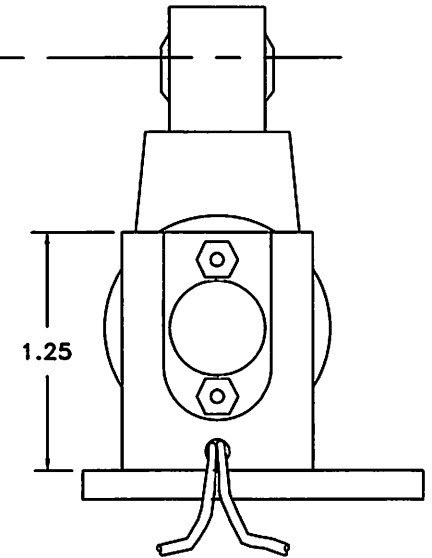
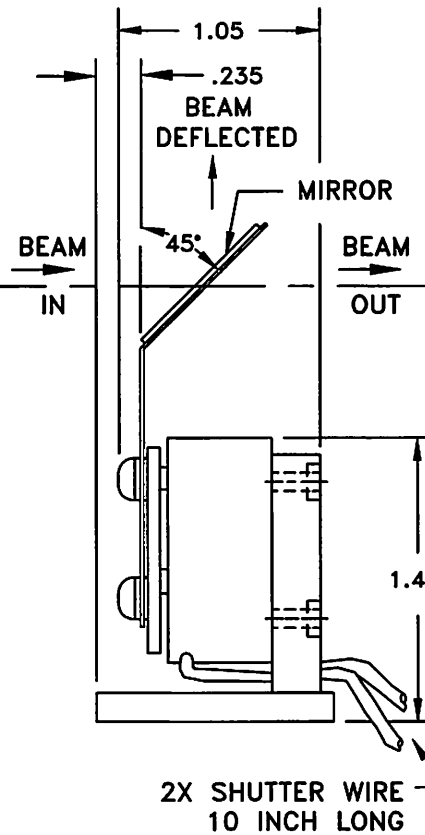
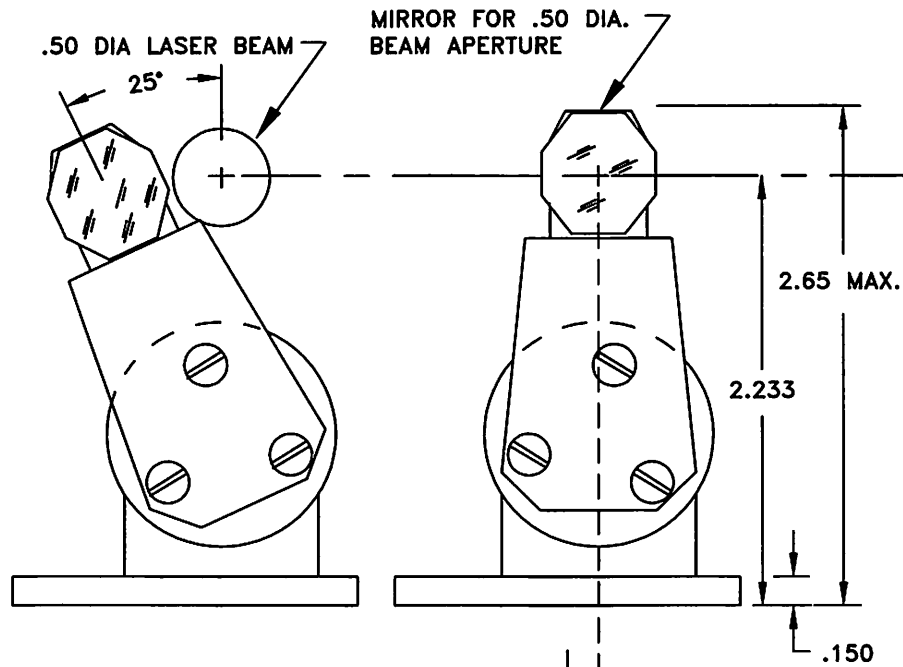
THIS DOCUMENT CONTAINS PROPRIETARY INFORMATION AND EXCEPT WITH WRITTEN PERMISSION OF ELECTRO-OPTICAL PRODUCTS CORPORATION SUCH INFORMATION SHALL NOT BE PUBLISHED, OR DISCLOSED TO OTHERS, OR USED FOR ANY PURPOSE, AND THE DOCUMENT SHALL NOT BE DUPLICATED IN WHOLE OR IN PART.

REVISIONS

REV	DESCRIPTION	DATE	APPROVED

OPEN POSITION
(BEAM PASSES THROUGH)

CLOSED POSITION
(BEAM DEFLECTED)



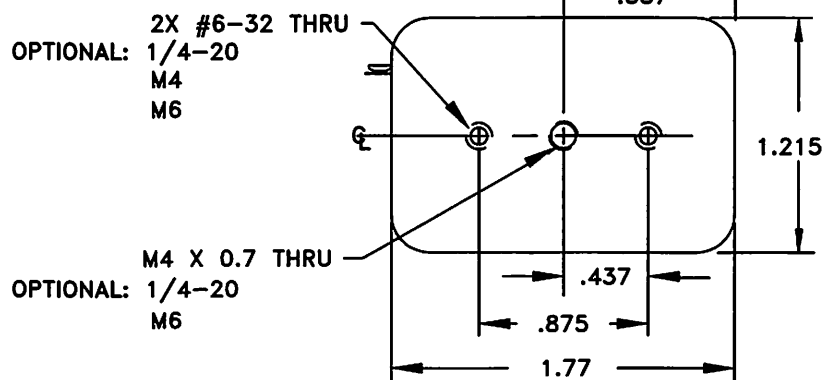
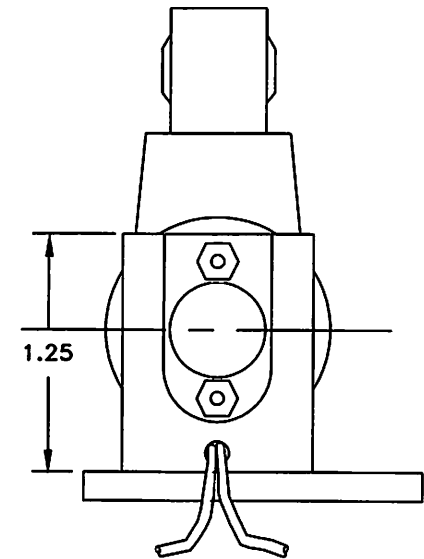
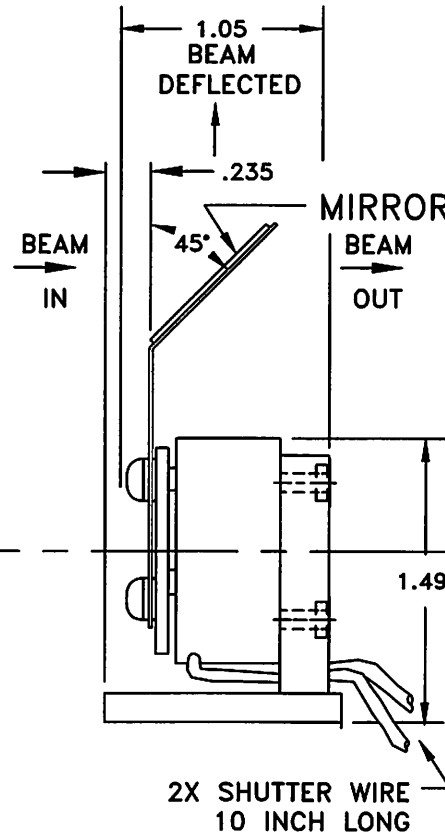
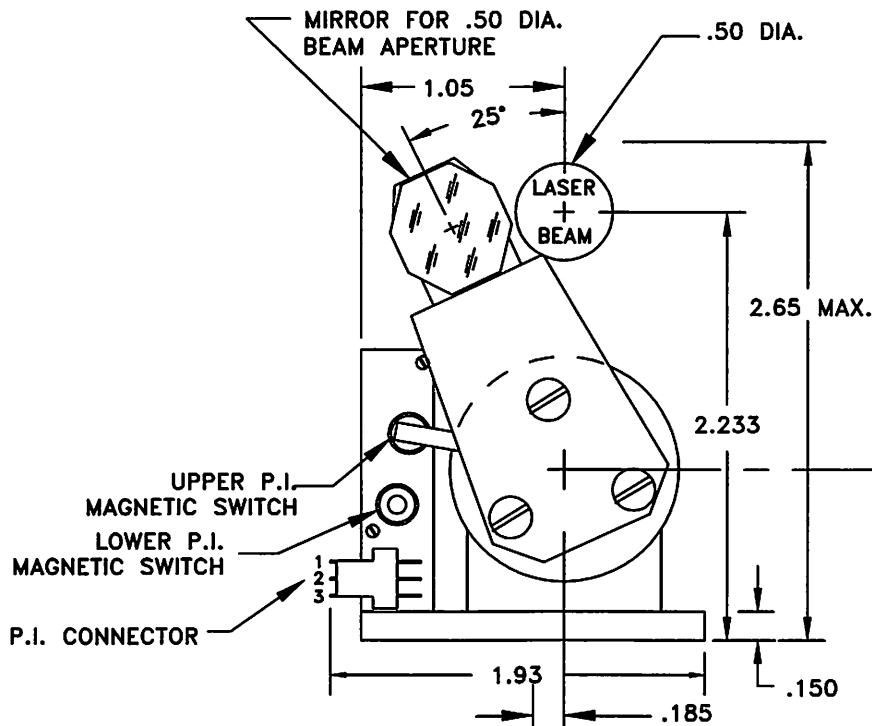
UNLESS OTHERWISE SPECIFIED DIMENSIONS ARE IN INCHES & PER ANSI Y14.5M-1982 FRACTIONS ± ANGLES ±1/2° 3 PLACE DECIMALS ±.005 2 PLACE DECIMALS ±.01 HOLES ±		ELECTRO-OPTICAL PRODUCTS CORP.	
		FRESH MEADOWS, NEW YORK	
PREPARED		TITLE	
6/20/2018		OUTLINE DRAWING	
APPROVED		SIZE	DWG NO.
		A	18-101219
		SCALE	SHEET
		FULL	1 OF 1

ELECTRO-OPTICAL PRODUCTS PROPRIETARY

THIS DOCUMENT CONTAINS PROPRIETARY INFORMATION AND EXCEPT WITH WRITTEN PERMISSION OF ELECTRO-OPTICAL PRODUCTS CORPORATION SUCH INFORMATION SHALL NOT BE PUBLISHED, OR DISCLOSED TO OTHERS, OR USED FOR ANY PURPOSE, AND THE DOCUMENT SHALL NOT BE DUPLICATED IN WHOLE OR IN PART.

REVISIONS

REV	DESCRIPTION	DATE	APPROVED



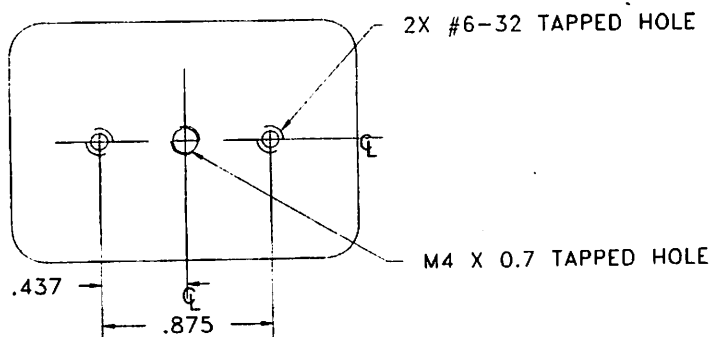
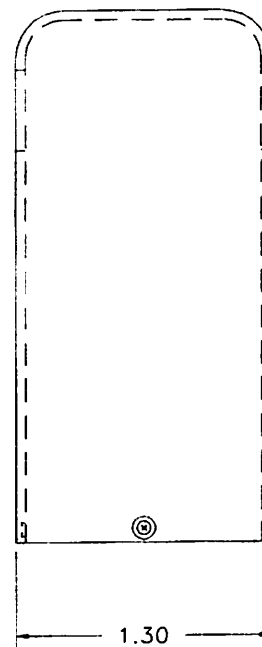
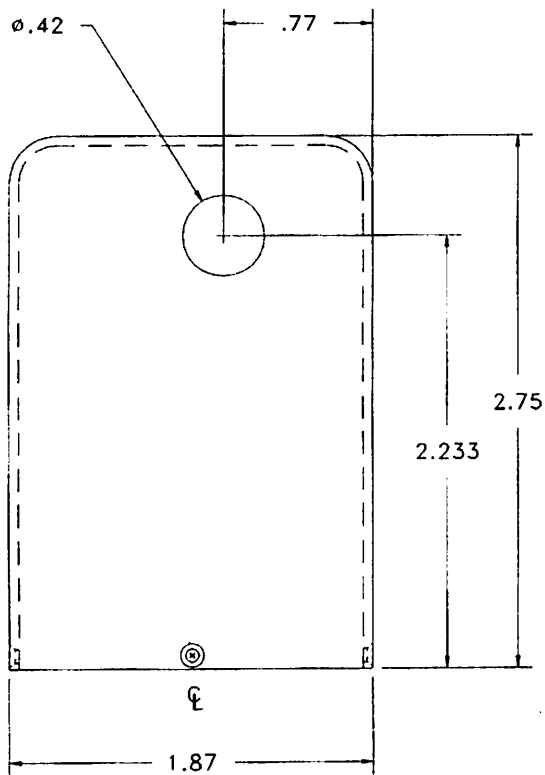
UNLESS OTHERWISE SPECIFIED DIMENSIONS ARE IN INCHES & PER ANSI Y14.5M-1982		ELECTRO-OPTICAL PRODUCTS CORP. FRESH MEADOWS, NEW YORK	
FRACTIONS ± ANGLES ±1/2° 3 PLACE DECIMALS ±.005 2 PLACE DECIMALS ±.01 HOLES ±		TITLE OUTLINE DRAWING SH-10-PI-DM SHUTTER	
PREPARED	6/28/2018	SIZE A	DWG NO. 18-101221
APPROVED		SCALE FULL	REV. SHEET 1 OF 2

ELECTRO-OPTICAL PRODUCTS PROPRIETARY

THIS DOCUMENT CONTAINS PROPRIETARY INFORMATION AND EXCEPT WITH WRITTEN PERMISSION OF ELECTRO-OPTICAL PRODUCTS CORPORATION SUCH INFORMATION SHALL NOT BE PUBLISHED, OR DISCLOSED TO OTHERS, OR USED FOR ANY PURPOSE, AND THE DOCUMENT SHALL NOT BE DUPLICATED IN WHOLE OR IN PART.

REVISIONS

REV	DESCRIPTION	DATE	APPVD
A	φ.42 WAS φ.25	3/17 2000	



UNLESS OTHERWISE SPECIFIED DIMENSIONS ARE IN INCHES & PER ANSI Y14.5M-1992 FRACTIONS ± ANGLES ±1/2° 3 PLACE DECIMALS ±.005 2 PLACE DECIMALS ±.01 HOLES ±	ELECTRO-OPTICAL PRODUCTS CORP. FRESH MEADOWS, NEW YORK	
	TITLE OUTLINE DRAWING SH-10 W/COVER	
PREPARED 10-7-98	SIZE A	DWG NO. 98-100448
APPROVED	SCALE FULL	SHEET 1 OF 1

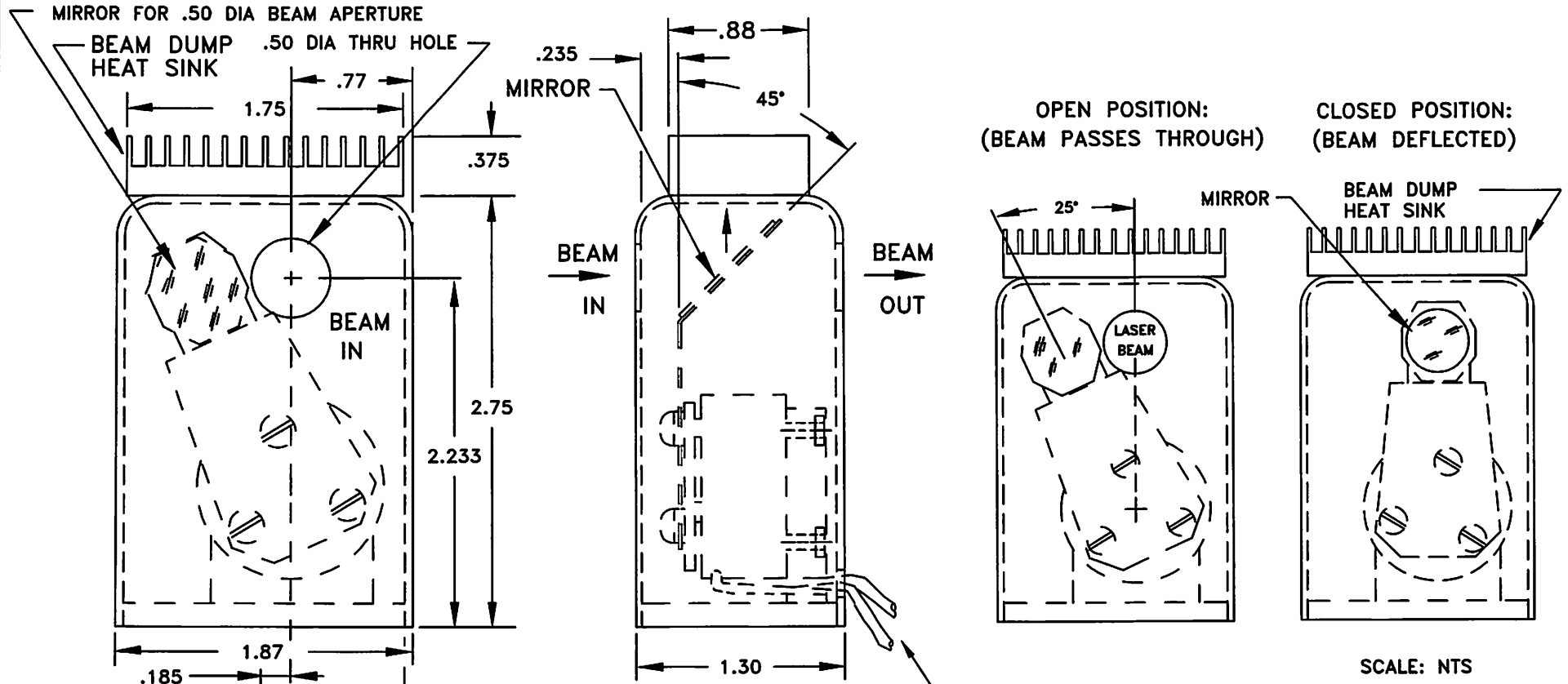
REV
A

ELECTRO-OPTICAL PRODUCTS PROPRIETARY

THIS DOCUMENT CONTAINS PROPRIETARY INFORMATION AND EXCEPT WITH WRITTEN PERMISSION OF ELECTRO-OPTICAL PRODUCTS CORPORATION SUCH INFORMATION SHALL NOT BE PUBLISHED, OR DISCLOSED TO OTHERS, OR USED FOR ANY PURPOSE, AND THE DOCUMENT SHALL NOT BE DUPLICATED IN WHOLE OR IN PART.

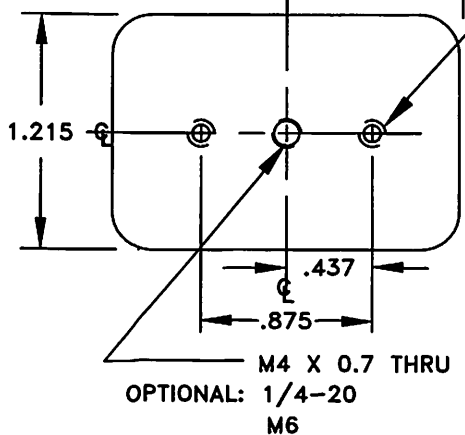
REVISIONS

REV	DESCRIPTION	DATE	APPROVED



OPTIONAL: 2X #6-32 THRU
1/4-20
M4
M6

2X SHUTTER WIRE
10 INCH LONG



UNLESS OTHERWISE SPECIFIED DIMENSIONS ARE IN INCHES & PER ANSI Y14.5M-1982 FRACTIONS ± ANGLES ±1/2° 3 PLACE DECIMALS ±.005 2 PLACE DECIMALS ±.01 HOLES ±		ELECTRO-OPTICAL PRODUCTS CORP. FRESH MEADOWS, NEW YORK	
		TITLE OUTLINE DRAWING SH-10-BD-5W SHUTTER	
PREPARED 7/2/2018	SIZE A	DWG NO. 18-101223	REV.
APPROVED	SCALE FULL	SHEET 1 OF 2	

ELECTRO-OPTICAL PRODUCTS PROPRIETARY

THIS DOCUMENT CONTAINS PROPRIETARY INFORMATION AND EXCEPT WITH WRITTEN PERMISSION OF ELECTRO-OPTICAL PRODUCTS CORPORATION SUCH INFORMATION SHALL NOT BE PUBLISHED, OR DISCLOSED TO OTHERS, OR USED FOR ANY PURPOSE, AND THE DOCUMENT SHALL NOT BE DUPLICATED IN WHOLE OR IN PART.

REVISIONS

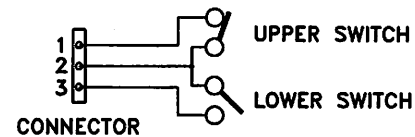
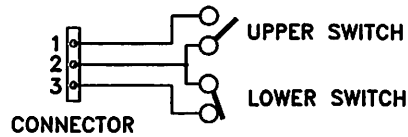
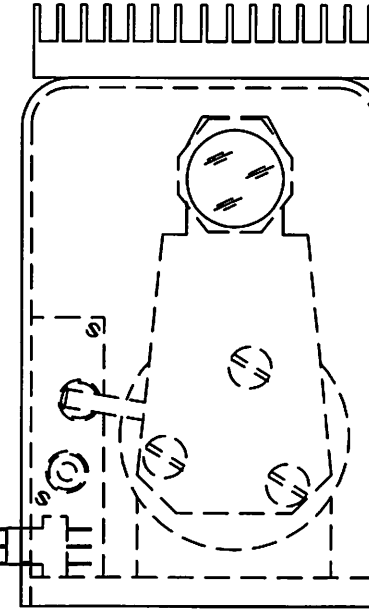
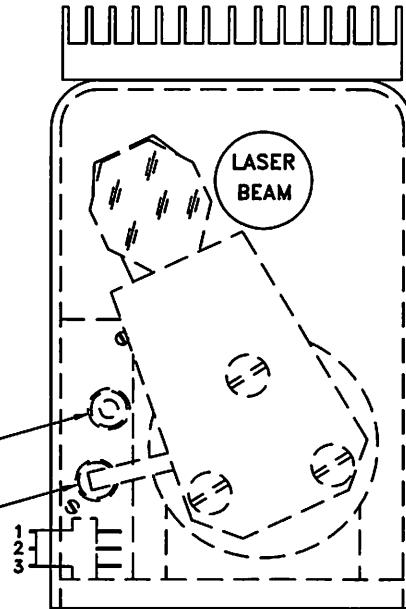
REV	DESCRIPTION	DATE	APPROVED

OPEN POSITION:
(BEAM PASSES THROUGH)

CLOSED POSITION:
(BEAM DEFLECTED)

UPPER P.I.
MAGNETIC SWITCH
LOWER P.I.
MAGNETIC SWITCH

BEAM DUMP
HEAT SINK



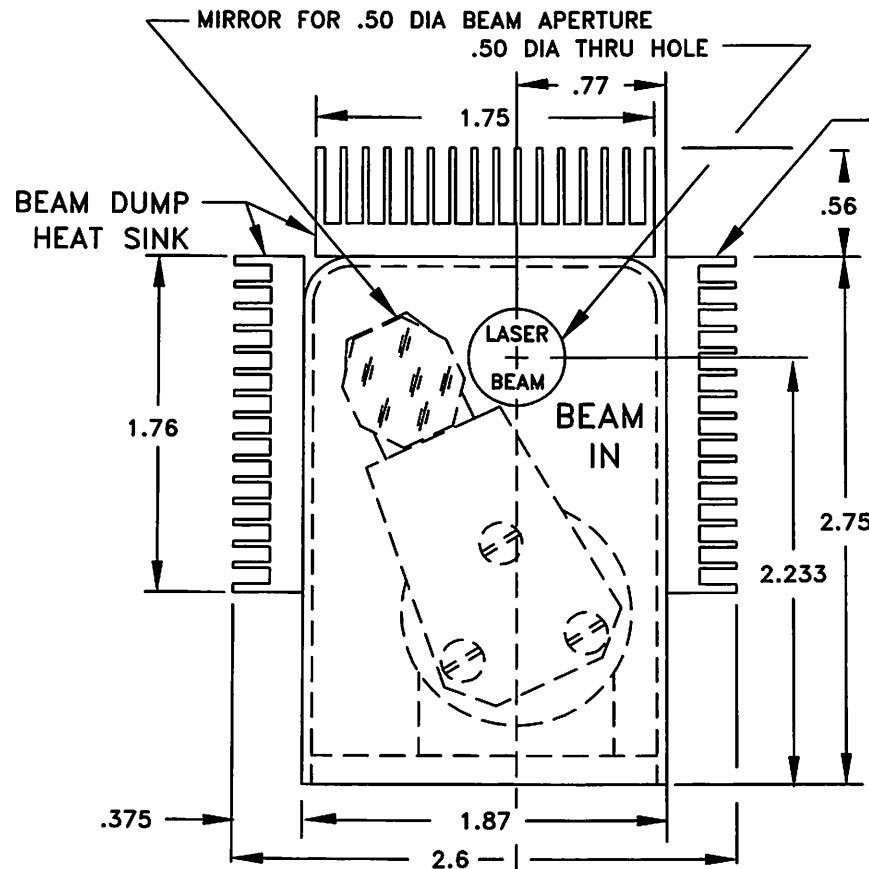
UNLESS OTHERWISE SPECIFIED DIMENSIONS ARE IN INCHES & PER ANSI Y14.5M-1982 FRACTIONS ± ANGLES ±1/2° 3 PLACE DECIMALS ±.005 2 PLACE DECIMALS ±.01 HOLES ±	ELECTRO-OPTICAL PRODUCTS CORP. FRESH MEADOWS, NEW YORK		
	TITLE SH-10-PI-BD-5W SHUTTER		
PREPARED 7/1/2018	SIZE A	DWG NO. 18-101224	REV.
APPROVED	SCALE FULL	SHEET 2 OF 2	

ELECTRO-OPTICAL PRODUCTS PROPRIETARY

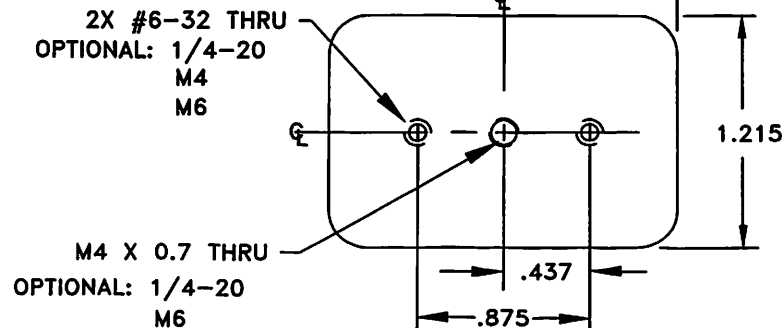
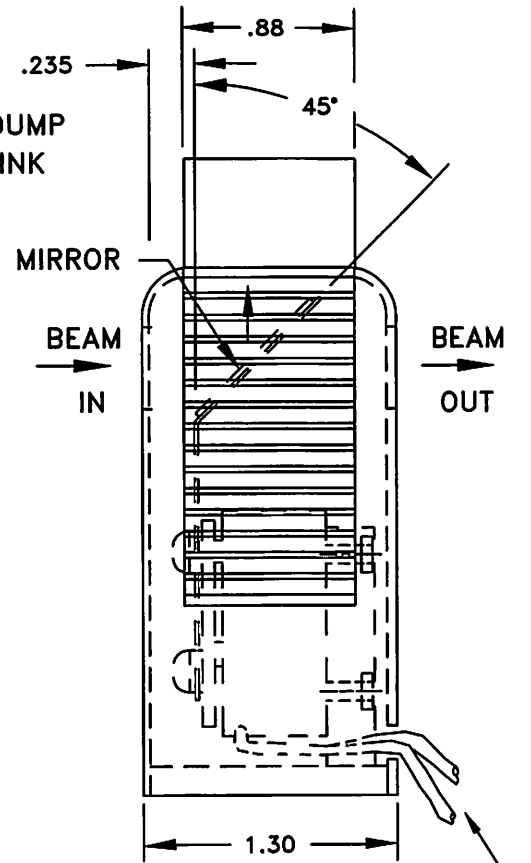
THIS DOCUMENT CONTAINS PROPRIETARY INFORMATION AND EXCEPT WITH WRITTEN PERMISSION OF ELECTRO-OPTICAL PRODUCTS CORPORATION SUCH INFORMATION SHALL NOT BE PUBLISHED, OR DISCLOSED TO OTHERS, OR USED FOR ANY PURPOSE, AND THE DOCUMENT SHALL NOT BE DUPLICATED IN WHOLE OR IN PART.

REVISIONS

REV	DESCRIPTION	DATE	APPROVED



BEAM DUMP HEAT SINK



UNLESS OTHERWISE SPECIFIED
DIMENSIONS ARE IN INCHES
& PER ANSI Y14.5M-1982

FRACTIONS ±
ANGLES ±1/2°
3 PLACE DECIMALS ±.005
2 PLACE DECIMALS ±.01
HOLES ±

PREPARED 7/2/2018

APPROVED

ELECTRO-OPTICAL PRODUCTS CORP.
FRESH MEADOWS, NEW YORK

TITLE
OUTLINE DRAWING
SH-10-BD-10W-H SHUTTER

SIZE DWG NO. **18-101227** REV.

SCALE FULL SHEET 1 OF 2

ELECTRO-OPTICAL PRODUCTS PROPRIETARY

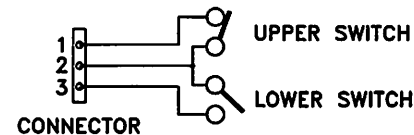
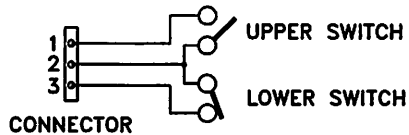
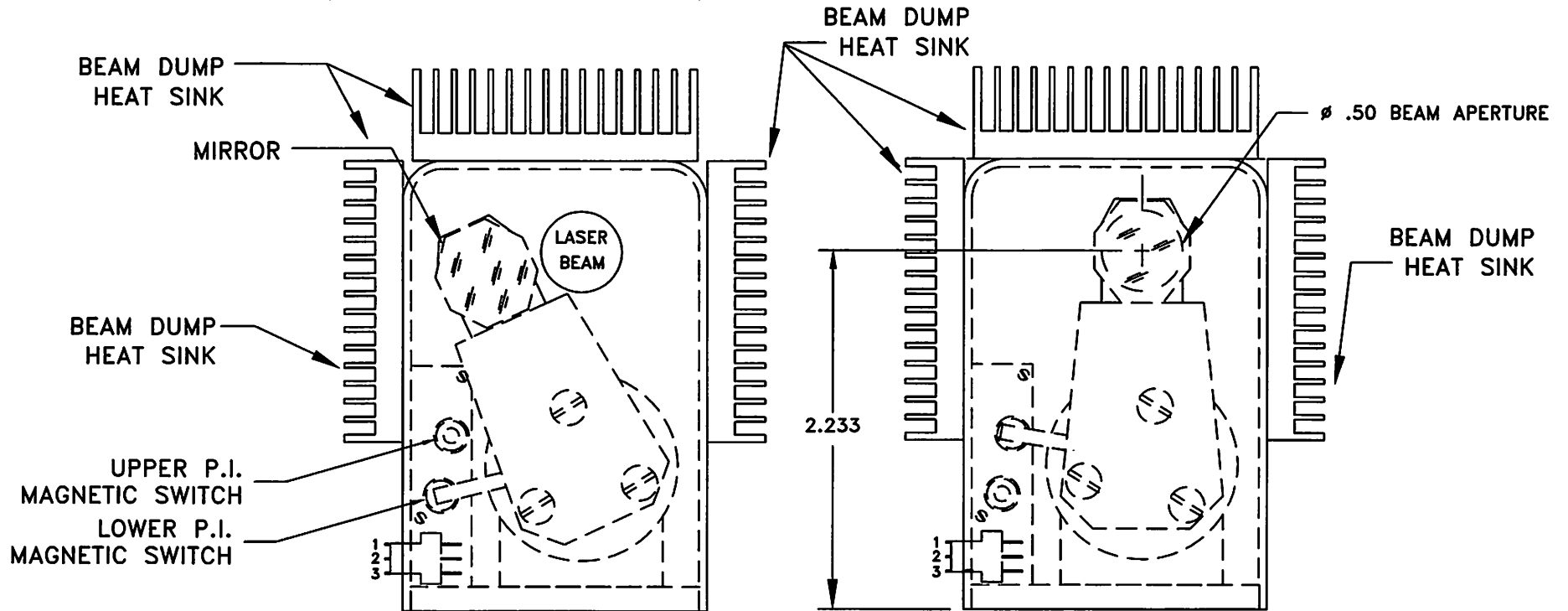
THIS DOCUMENT CONTAINS PROPRIETARY INFORMATION AND EXCEPT WITH WRITTEN PERMISSION OF ELECTRO-OPTICAL PRODUCTS CORPORATION SUCH INFORMATION SHALL NOT BE PUBLISHED, OR DISCLOSED TO OTHERS, OR USED FOR ANY PURPOSE, AND THE DOCUMENT SHALL NOT BE DUPLICATED IN WHOLE OR IN PART.

REVISIONS

REV	DESCRIPTION	DATE	APPROVED

**OPEN POSITION:
(BEAM PASSES THROUGH)**

**CLOSED POSITION:
(BEAM DEFLECTED)**



UNLESS OTHERWISE SPECIFIED
DIMENSIONS ARE IN INCHES
& PER ANSI Y14.5M-1982

FRACTIONS ±
ANGLES ±1/2°
3 PLACE DECIMALS ±.005
2 PLACE DECIMALS ±.01
HOLES ±

ELECTRO-OPTICAL PRODUCTS CORP.
FRESH MEADOWS, NEW YORK

TITLE
OUTLINE DRAWING
SH-10-PI-BD-10W-H SHUTTER

PREPARED 6/1/2018

SIZE DWG NO. **18-101228** REV.

APPROVED

SCALE FULL

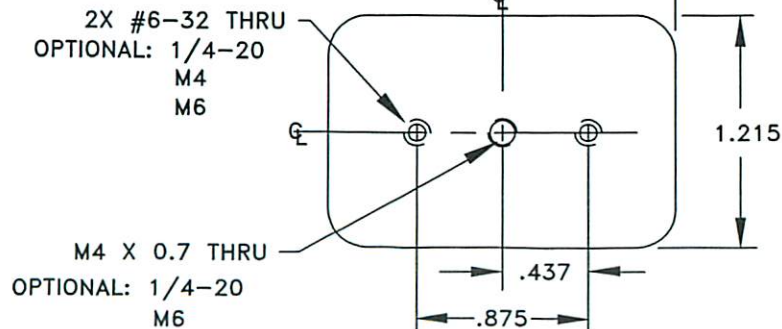
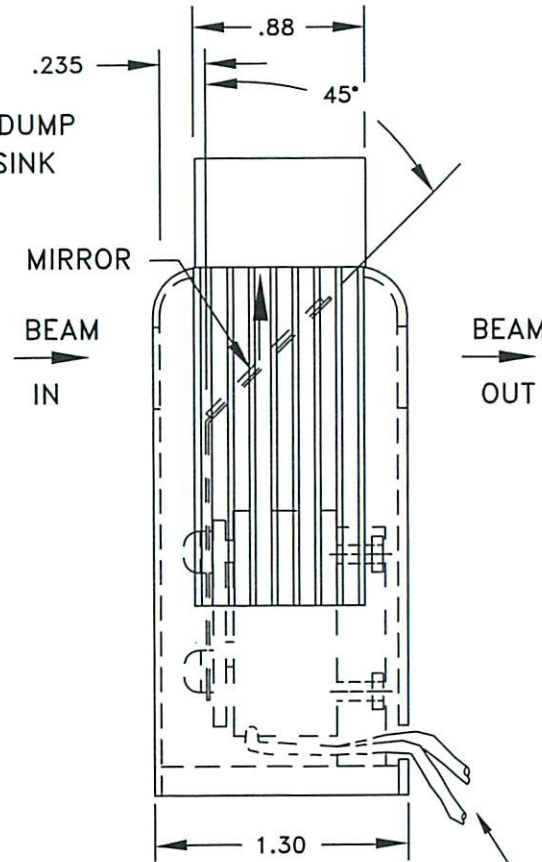
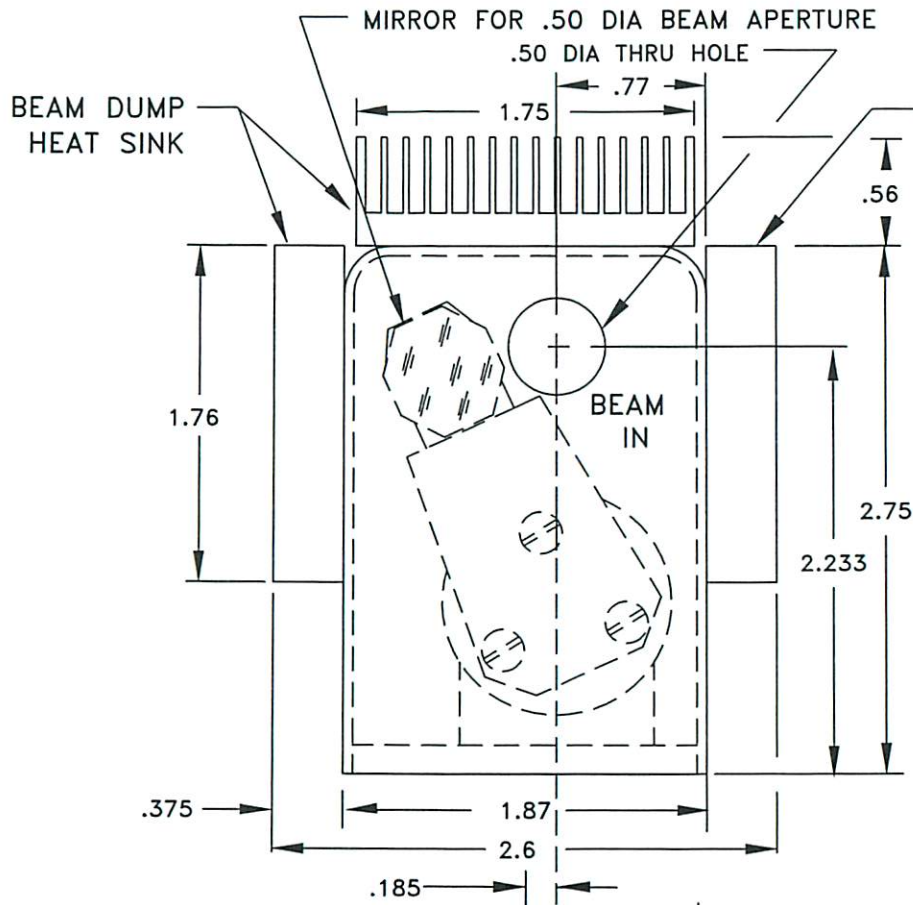
SHEET 2 OF 2

ELECTRO-OPTICAL PRODUCTS PROPRIETARY

THIS DOCUMENT CONTAINS PROPRIETARY INFORMATION AND EXCEPT WITH WRITTEN PERMISSION OF ELECTRO-OPTICAL PRODUCTS CORPORATION SUCH INFORMATION SHALL NOT BE PUBLISHED, OR DISCLOSED TO OTHERS, OR USED FOR ANY PURPOSE, AND THE DOCUMENT SHALL NOT BE DUPLICATED IN WHOLE OR IN PART.

REVISIONS

REV	DESCRIPTION	DATE	APPROVED



UNLESS OTHERWISE SPECIFIED
DIMENSIONS ARE IN INCHES
& PER ANSI Y14.5M-1982

FRACTIONS ±
ANGLES ±1/2°
3 PLACE DECIMALS ±.005
2 PLACE DECIMALS ±.01
HOLES ±

PREPARED	7/2/2018
APPROVED	

ELECTRO-OPTICAL PRODUCTS CORP. FRESH MEADOWS, NEW YORK	
TITLE OUTLINE DRAWING SH-10-BD-10W-V SHUTTER	
SIZE A	DWG NO. 18-101225
REV.	
SCALE FULL	SHEET 1 OF 2

ELECTRO-OPTICAL PRODUCTS PROPRIETARY

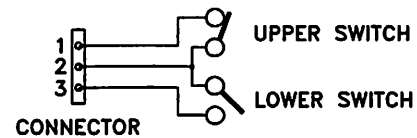
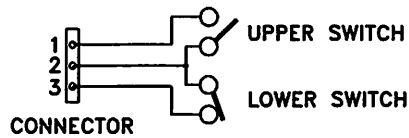
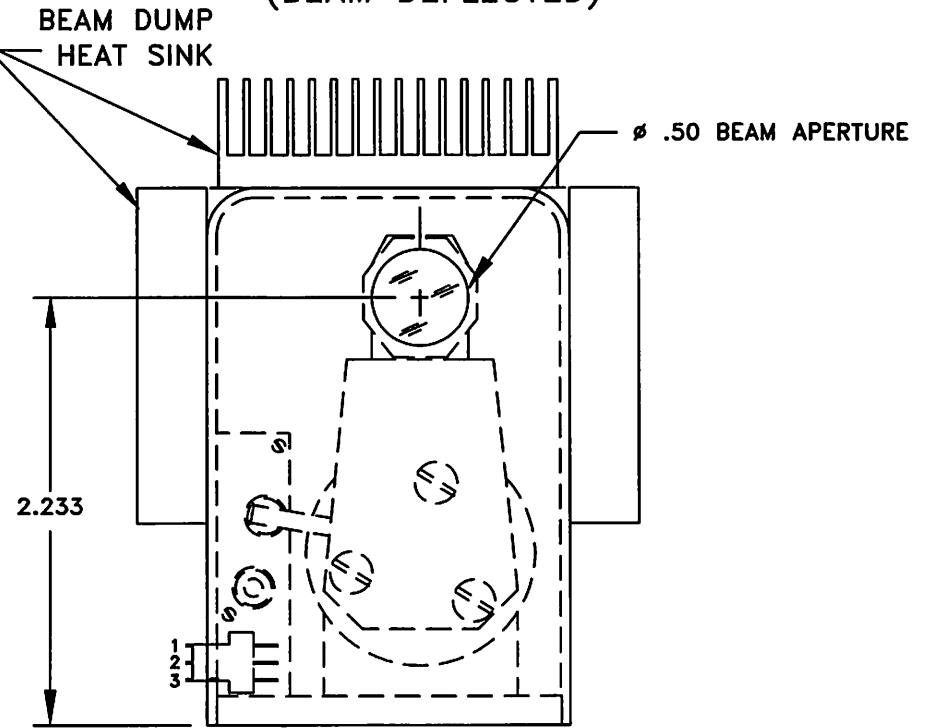
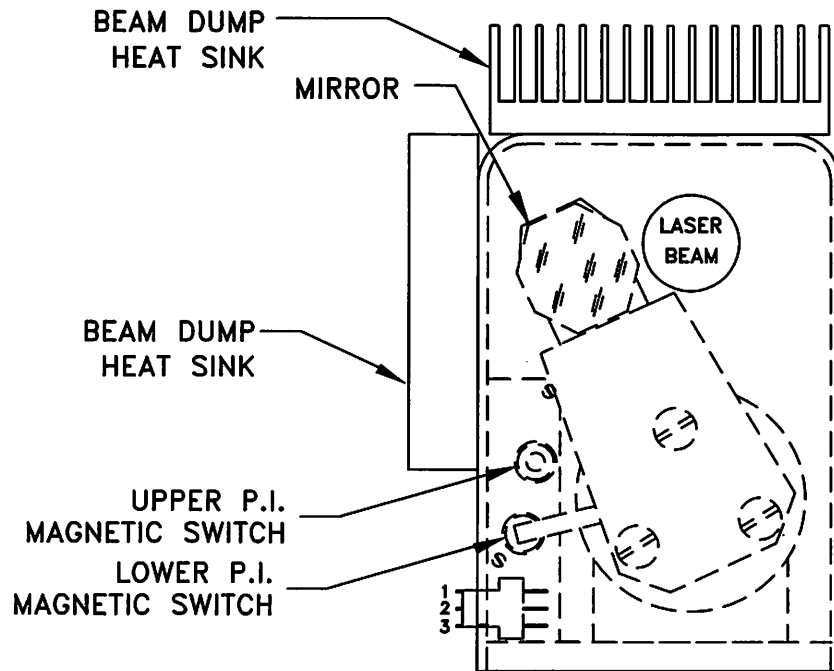
THIS DOCUMENT CONTAINS PROPRIETARY INFORMATION AND EXCEPT WITH WRITTEN PERMISSION OF ELECTRO-OPTICAL PRODUCTS CORPORATION SUCH INFORMATION SHALL NOT BE PUBLISHED, OR DISCLOSED TO OTHERS, OR USED FOR ANY PURPOSE, AND THE DOCUMENT SHALL NOT BE DUPLICATED IN WHOLE OR IN PART.

REVISIONS

REV	DESCRIPTION	DATE	APPROVED

**OPEN POSITION:
(BEAM PASSES THROUGH)**

**CLOSED POSITION:
(BEAM DEFLECTED)**



UNLESS OTHERWISE SPECIFIED DIMENSIONS ARE IN INCHES & PER ANSI Y14.5M-1982		ELECTRO-OPTICAL PRODUCTS CORP. FRESH MEADOWS, NEW YORK	
FRACTIONS ± ANGLES ±1/2° 3 PLACE DECIMALS ±.005 2 PLACE DECIMALS ±.01 HOLES ±		TITLE OUTLINE DRAWING SH-10-PI-BD-10W-V SHUTTER	
PREPARED 7/2/2018	SIZE A	DWG NO. 18-101226	REV.
APPROVED	SCALE FULL	SHEET 2 OF 2	