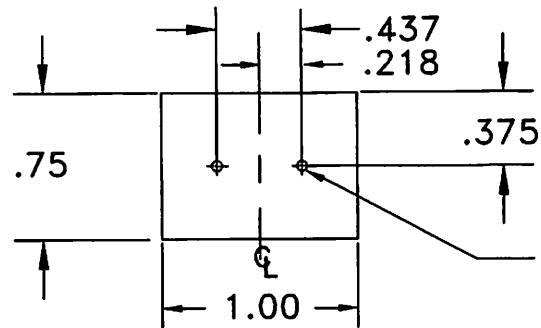
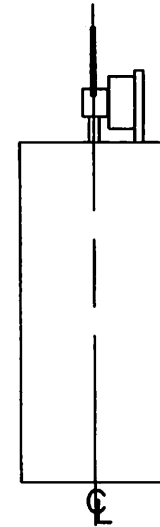
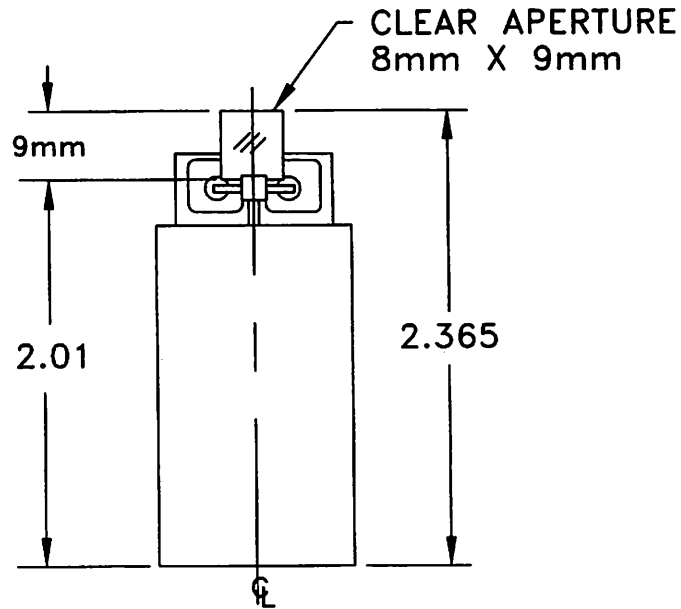


ELECTRO-OPTICAL PRODUCTS PROPRIETARY

THIS DOCUMENT CONTAINS PROPRIETARY INFORMATION AND EXCEPT WITH WRITTEN PERMISSION OF ELECTRO-OPTICAL PRODUCTS CORPORATION SUCH INFORMATION SHALL NOT BE PUBLISHED, OR DISCLOSED TO OTHERS, OR USED FOR ANY PURPOSE, AND THE DOCUMENT SHALL NOT BE DUPLICATED IN WHOLE OR IN PART.

REVISIONS

REV	DESCRIPTION	DATE	APPROVED



2-56 or M3
MTG HOLE
2 PLCS

UNLESS OTHERWISE SPECIFIED DIMENSIONS ARE IN INCHES & PER ANSI Y14.5M-1982 FRACTIONS ± ANGLES ±1/2° 3 PLACE DECIMALS ±.005 2 PLACE DECIMALS ±.01 HOLES ±	ELECTRO-OPTICAL PRODUCTS CORP. FRESH MEADOWS, NEW YORK		
	TITLE OUTLINE DRAWING SC-30, 4KHz		
PREPARED 1/15/12	SIZE A	DWG NO. 12-100938	REV.
APPROVED	SCALE FULL	SHEET 1 OF 1	